

# Audio Speaker Bridge

Converts Speaker Output for Earphones or Other Use

## Installation / Wiring Diagram

### Audio Source Cable

See chart for wire designations



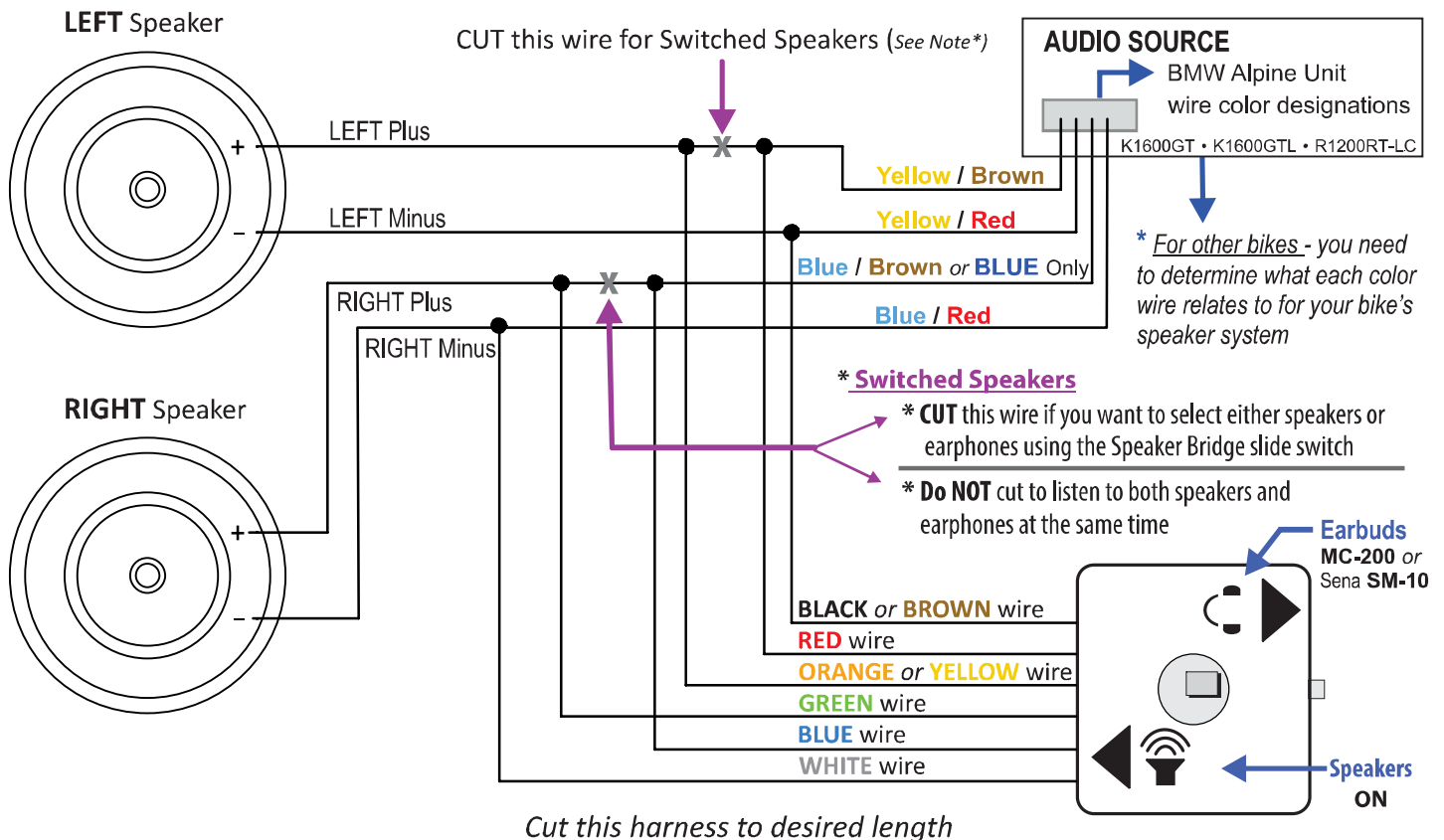
Converts audio from your bike speaker output for earphones or other use. Provides an isolation loop for both left and right channels. Balanced impedance correctly steps down voltage for a 3.5mm jack and built in load resistors protect your system.

A **Square Adhesive** is attached to the back of the case to fix the Speaker Bridge at a location of your choice. When placing the Bridge, clean the selected area, remove the red protective strip and press firmly in place

### 3.5mm Stereo Cable Plugs in here

Use the audio cable to Connect to an MC-200 AUX2 or AUX3 port, Earphones, MotoRfPlus Audio input or to a Sena® SM-10 Bluetooth transmitter

**IMPORTANT:** Verify that the wire color designation is correct for your bike



**NOTE:** The Speaker bridge with transformer isolation works with amplifiers where the negative speaker wire is, or is not, at ground as in the BMW® Alpine systems. If your system has a booster amp, the Speaker Bridge must be installed to the booster input.